

RFCT-TNC019-F74: TNC STRAIGHT BULKHEAD JACK WITH O-RING RATED TO IP67/68, FOR RG174 CABLE, WITH STAINLESS STEEL BODY, 3GHz

Material and Plating:

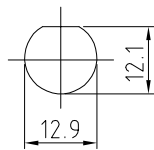
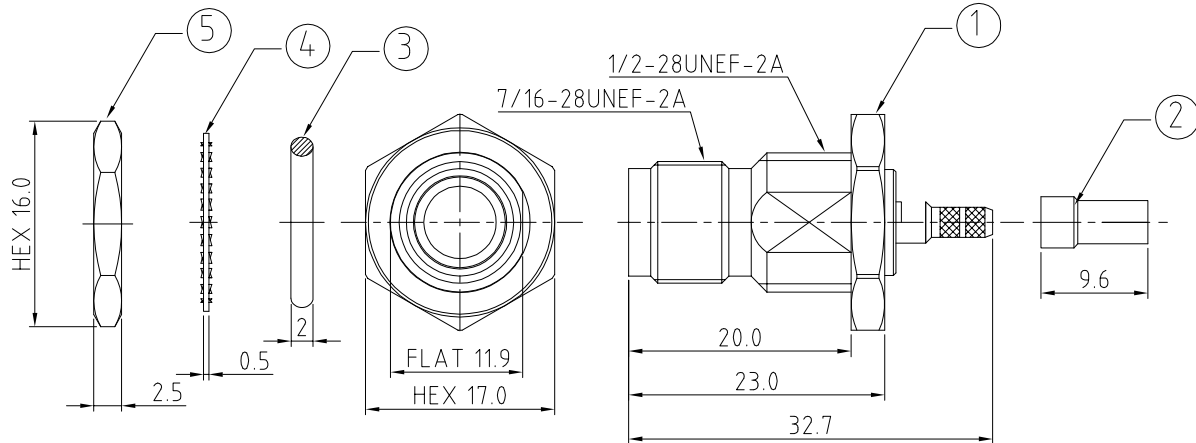
- 1. Barrel: Brass, Nickel Plated.  
Gasket: Silicone.
- Pin: Phosphor Bronze, Gold Plated.
- Insulator A: Teflon.
- Insulator B: Teflon.
- Body: Stainless Steel, Passivated.
- 2. Ferrule: Brass, Nickel Plated.
- 3. O-ring: Silicone, Color: Black.
- 4. Washer: Stainless Steel, Nickel Plated.
- 5. Nut: Stainless Steel, Passivated.

Environmental:

- A. Rated to:
  - i. IP6x - Dust tight - no particle ingress.
  - ii. IPx7 Waterproof for 30 minutes up to 1 meter underwater.
  - iii. IPx8 Waterproof for 48 hours at 1 meter underwater.

Notes:

- 1. Please use the recommended torque forces for stainless connectors. This is published on Gradconn.com resources page.



RECOMMENDED TNC MOUNTING HOLE  
MAX. PANEL THICKNESS: 4MM  
(TOLERANCE: ±0.1)

REV.	DATE & DRN
10	15/07/21 - NYW RELEASE
11	03/08/21 - NYW RELEASE
12	ADD MOUNTING FREQUENCY.
13	ADD NOTE 1.
13	30/05/23 - NYW
13	30/05/23 - NYW
13	AMEND SILICONE O-RING COLOR
13	REMOVE NIP O-RING OPTION
13	REMOVE NIP O-RING OPTION
13	ADD EPDM O-RING OPTION.
14	13/09/23 - NYW
14	REMOVE EPDM O-RING OPTION.

Scale:	NTS	THIRD ANGLE	Unstated .X .XX .XXX ANGLES	Tolerances: N/A N/A N/A N/A	
Drawn:	NYW				
App'd:	XXX	Title TNC BULKHEAD JACK			
Date:	13 SEP. '23	Revision:	1.4	Unit:	mm

IP67/68 Rated Cables

www.gradconn.com

Type:	RFCT-TNC019-F74
	RFCT-TNC019-F74
Drawing Number:	
Sheet	1 of 1
Drawing	© E and O E