

RFCT-TNC018-F78: TNC STRAIGHT BULKHEAD JACK WITH O-RING RATED TO IP67/68, FOR 0.81~RG178 CABLES, WITH STAINLESS STEEL BODY, 6GHz

Material and Plating:

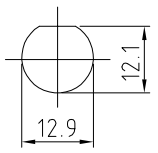
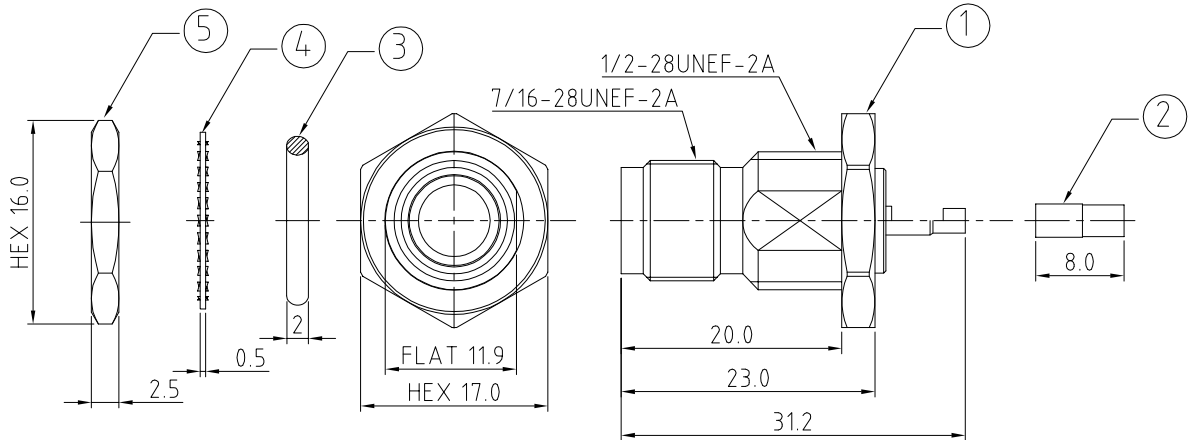
1. Barrel: Brass, Nickel Plated.
Gasket: Silicone.
- Pin: Phosphor Bronze, Gold Plated.
- Insulator A: Teflon.
- Insulator B: Teflon.
- Body: Stainless Steel, Passivated.
2. Ferrule: Brass, Nickel Plated.
3. O-ring: See P/N options for detail.
4. Washer: Stainless Steel, Nickel Plated.
5. Nut: Stainless Steel, Passivated.

Environmental:

- A. Rated to:
- i. IP6x - Dust tight - no particle ingress.
 - ii. IPx7 Waterproof for 30 minutes up to 1 meter underwater.
 - iii. IPx8 Waterproof for 48 hours at 1 meter underwater.

Notes:

1. Please use the recommended torque forces for stainless connectors. This is published on Gradconn.com resources page.



RECOMMENDED TNC MOUNTING HOLE
MAX. PANEL THICKNESS: 4MM
(TOLERANCE: ±0.1)

HOW TO ORDER
RFCT-TNC018-F78 - X

O-RING MATERIAL OPTIONS:
BLANK = SILICONE, COLOR: BLACK
1 = EPDM, COLOR: BLACK (STANDARD)

REV. DATE & DRN	10 15/07/21 - NYW RELEASE
	11 03/08/21 - NYW ADD WORKING FREQUENCY.
	12 31/10/22 - NYW UPDATE WORKING FREQUENCY.
	13 27/07/22 - NYW
	14 05/05/23 NYW
	15 05/05/23 NYW
	16 05/05/23 NYW
	17 05/05/23 NYW
	18 05/05/23 NYW
	19 05/05/23 NYW
	20 05/05/23 NYW
	21 05/05/23 NYW
	22 05/05/23 NYW
	23 05/05/23 NYW
	24 05/05/23 NYW
	25 05/05/23 NYW
	26 05/05/23 NYW
	27 05/05/23 NYW
	28 05/05/23 NYW
	29 05/05/23 NYW
	30 05/05/23 NYW
	31 05/05/23 NYW
	32 05/05/23 NYW
	33 05/05/23 NYW
	34 05/05/23 NYW
	35 05/05/23 NYW
	36 05/05/23 NYW
	37 05/05/23 NYW
	38 05/05/23 NYW
	39 05/05/23 NYW
	40 05/05/23 NYW
	41 05/05/23 NYW
	42 05/05/23 NYW
	43 05/05/23 NYW
	44 05/05/23 NYW
	45 05/05/23 NYW
	46 05/05/23 NYW
	47 05/05/23 NYW
	48 05/05/23 NYW
	49 05/05/23 NYW
	50 05/05/23 NYW

Scale: NTS	THIRD ANGLE	Unstated X .XX .XXX ANGLES	Tolerances: N/A N/A N/A N/A
Drawn: NYW			
App'd: XXX	Title TNC BULKHEAD JACK		
Date: 30 MAY '23	Revision: 1.4	Unit: mm	

IP67/68 Rated Cables

www.gradconn.com

Type: RFCT-TNC018-F78
RFCT-TNC018-F78
Drawing Number:
Sheet 1 of 1
Drawing © E and O E