

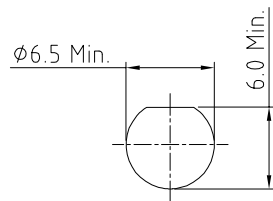
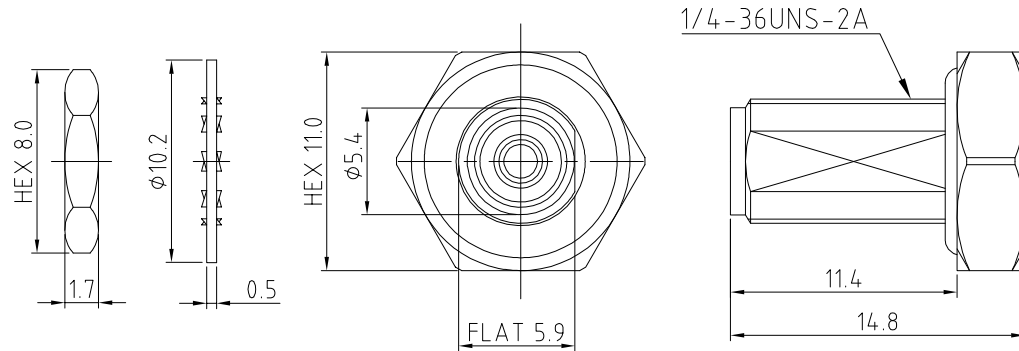
RFCT-SMA108-F37: SMA STRAIGHT BULKHEAD JACK WITH O-RING RATED TO IP67/68, FOR Ø1.37MM CABLE, 8GHZ

Material and plating:

- 1. Nut: Brass, gold plated.
- 2. Washer: Brass, gold plated.
- 3. Body: Brass, gold plated.
- Gasket: Silicone, color: red.
- O-ring: Silicone, color: red.
- Pin: Phosphor bronze, gold plated.
- Insulator: Teflon.
- Pin: Phosphor bronze, gold plated.
- Sleeve: Brass, gold plated.
- Barrel: Brass, gold plated.

Environmental:

- A. Rated to:
 - i. IP6x - Dust tight - no particle ingress.
 - ii. IPx7 Waterproof for 30 minutes up to 1 meter underwater.
 - iii. IPx8 Waterproof for 48 hours at 1 meter underwater.



RECOMMENDED SMA MOUNTING HOLE
MAX. PANEL THICKNESS: 2.2MM

REV. DATE & DRN
10 13/09/22 - NYW RELEASE
11 22/05/23 - NYW
BODY DESIGN CHANGE TO TIP
TO FLAT.

Scale: NTS	THIRD ANGLE	Unstated X .XX .XXX ANGLES	Tolerances: N/A N/A N/A N/A
Drawn: NYW			
App'd: XXX	Title SMA BULKHEAD JACK		
Date: 22 MAY '23	Revision: 1.1	Unit: mm	

IP67/68 Rated Cables

www.gradconn.com

Type: RFCT-SMA108
RFCT-SMA108-F37
Drawing Number:
Sheet 1 of 1
Drawing © E and O E