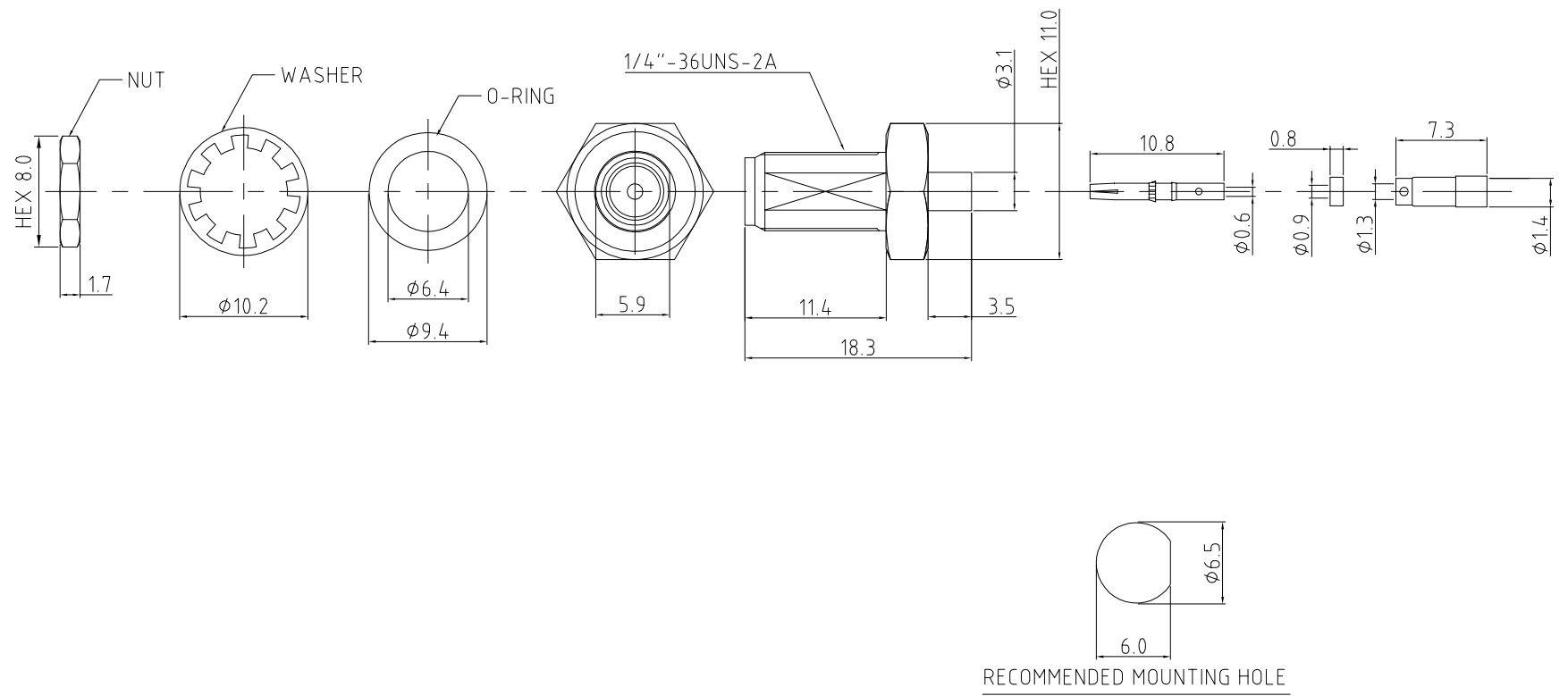


RFCT-SMA091-F37: SMA STRAIGHT BULKHEAD JACK WITH O-RING CRIMP FOR 1.37MM CABLE, 8GHz

Material and Plating:
 Body: Brass, Gold Plated.
 Pin: Be Cu, Gold Plated.
 Insulator A: Teflon.
 Sleeve: Brass, Nickel Plated.
 Nut: Brass, Gold.
 Washer: Brass, Gold.
 O-ring: Silicone.
 Insulator B: Teflon.



REV. DATE & DRN
 10 25/05/21 - NYW RELEASE

Scale: NTS	THIRD ANGLE	Unstated X .XX .XXX ANGLES	Tolerances: N/A N/A N/A N/A
Drawn: NYW			
App'd: XXX	Title SMA BULKHEAD JACK		
Date: 25 MAY '21	Revision: 1.0	Unit: mm	



THIS DRAWING IS CONFIDENTIAL AND MUST NOT BE COPIED OR DISCLOSED WITHOUT WRITTEN CONSENT

Type: RFCT-SMA091-F37
RFCT-SMA091-F37
Drawing Number:
Sheet 1 of 1
Drawing © E and O E