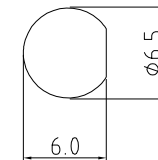
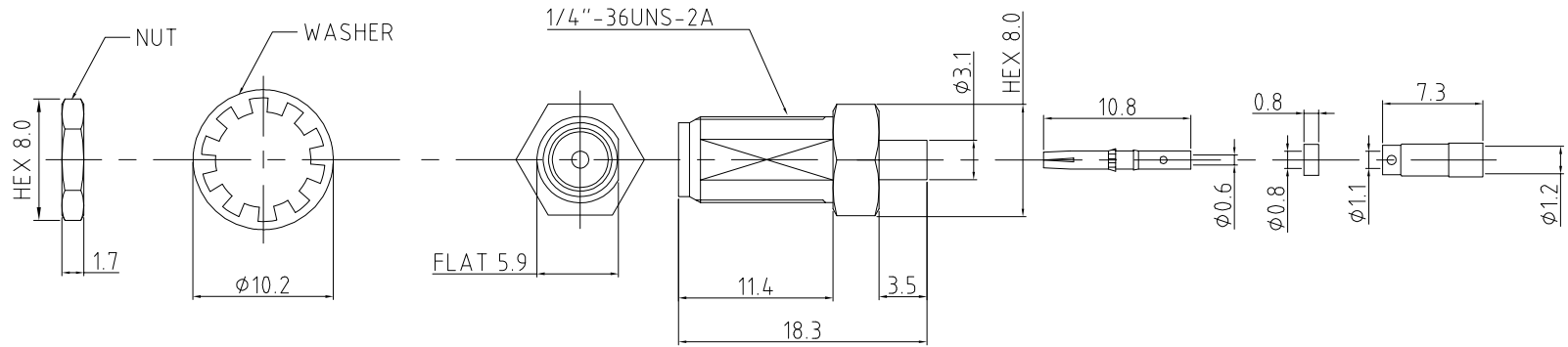


RFCT-SMA047-F13: SMA STRAIGHT BULKHEAD JACK CRIMP FOR 1.13MM CABLE

Material and Plating:
 Body: Brass, Gold Plated.
 Pin: Be Cu, Gold Plated.
 Insulator A: Teflon.
 Sleeve: Brass, Nickel Plated.
 Insulator B: Teflon.
 Nut: Brass, Gold.
 Washer: Brass, Gold.



RECOMMENDED MOUNTING HOLE