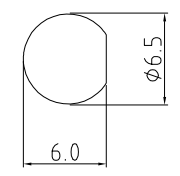
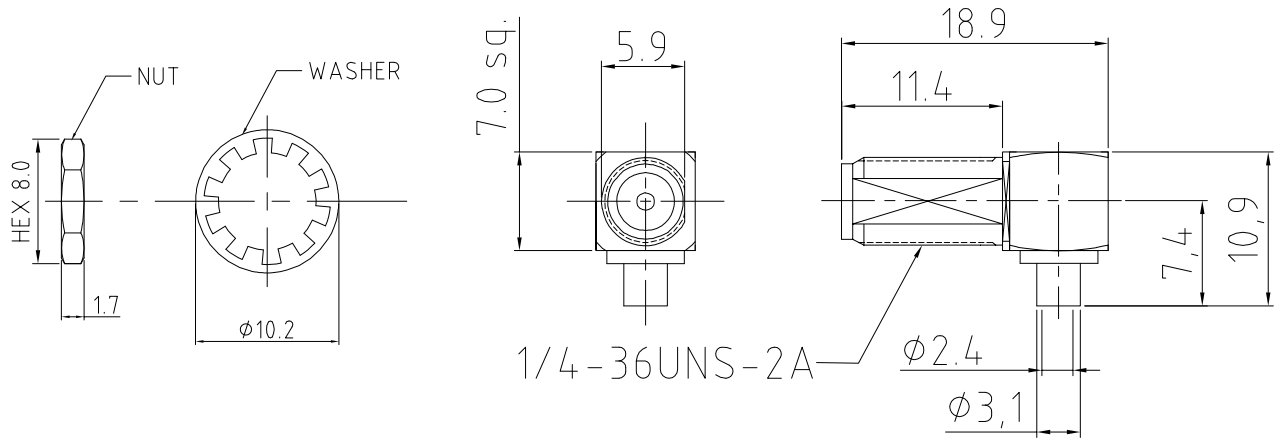

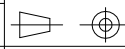


RFCT-SMA006-F13: SMA RIGHT ANGLE BULKHEAD JACK WITH D-FLAT FOR 1.13MM CABLE

Material and Plating:  
 Body: Brass, Gold Plated.  
 Pin: Be Cu, Gold Plated.  
 Insulator A: Teflon.  
 Cap: Brass, Gold Plated.  
 Sleeve: Brass, Nickel Plated.  
 Insulator B: Teflon.  
 Nut: Brass, Gold Plated.  
 Washer: Brass, Gold Plated.



REV. DATE & DRN  
 TO 2/07/15 - NYW RELEASE

Scale: NTS	THIRD ANGLE	Unstated X .XX .XXX ANGLES	Tolerances: N/A N/A N/A N/A	 www.gradconn.com	Type: RFCT-SMA006-F13
Drawn: NYW					RFCT-SMA006-F13
App'd: XXX	Title SMA BULKHEAD JACK				Drawing Number:
Date: 20 JUL. '15	Revision: 1.0	Unit: mm	© THIS DRAWING IS CONFIDENTIAL AND MUST NOT BE COPIED OR DISCLOSED WITHOUT WRITTEN CONSENT		Sheet 1 of 1
					Drawing © E and O E