

RFPC-SMA27-F : SMA Right Angle Jack, PCB Connector, 6GHz

Material and Plating:

Insulator: PTFE

Pin: Brass, Gold

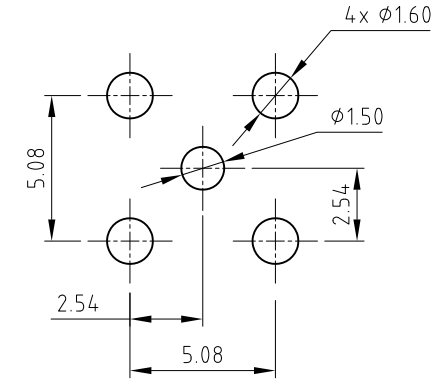
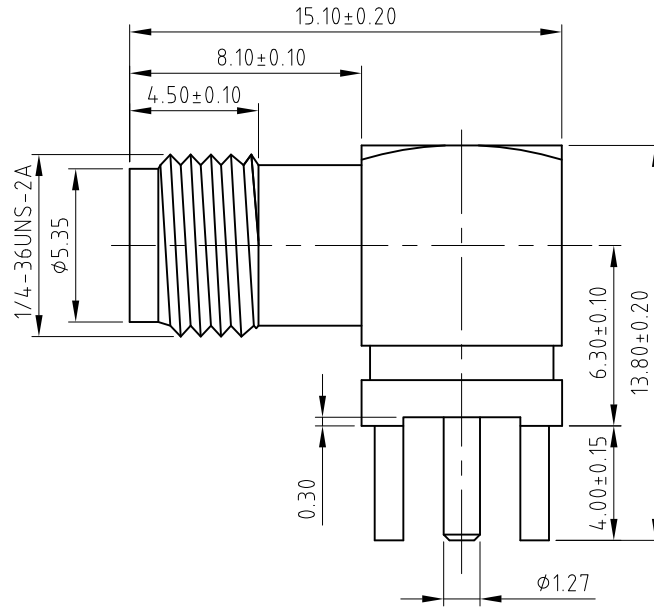
Body: Brass, Gold

Specification:

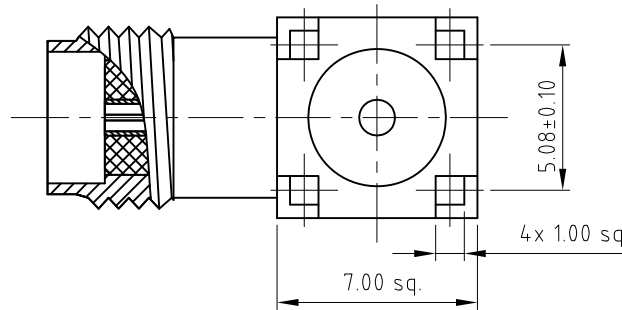
Operating Temperature: -55°C~+125°C

Working Frequency Range: DC~6GHz

Impedance: 50 Ohm.



Recommended PCB Layout
Tolerance:±0.05



REV. DATE & DRN
1.0 17/07/23 - CC RELEASE
1.1 29/03/24 - CC RELEASE
Update product description

| | | | |
|-------------------|-------------------------|---|----------------------|
| Scale: NTS | THIRD ANGLE | Unstated Tolerances: .X ±0.2 .XX ±0.1 .XXX ±0.05 ANGLES ±3° | Material SEE NOTE |
| Drawn: CC | | | |
| App'd: XXX | Title SMA PCB Connector | | NOT TO SCALE |
| Date: 29 MAR. '24 | Revision: 1.1 | | Unit: mm |

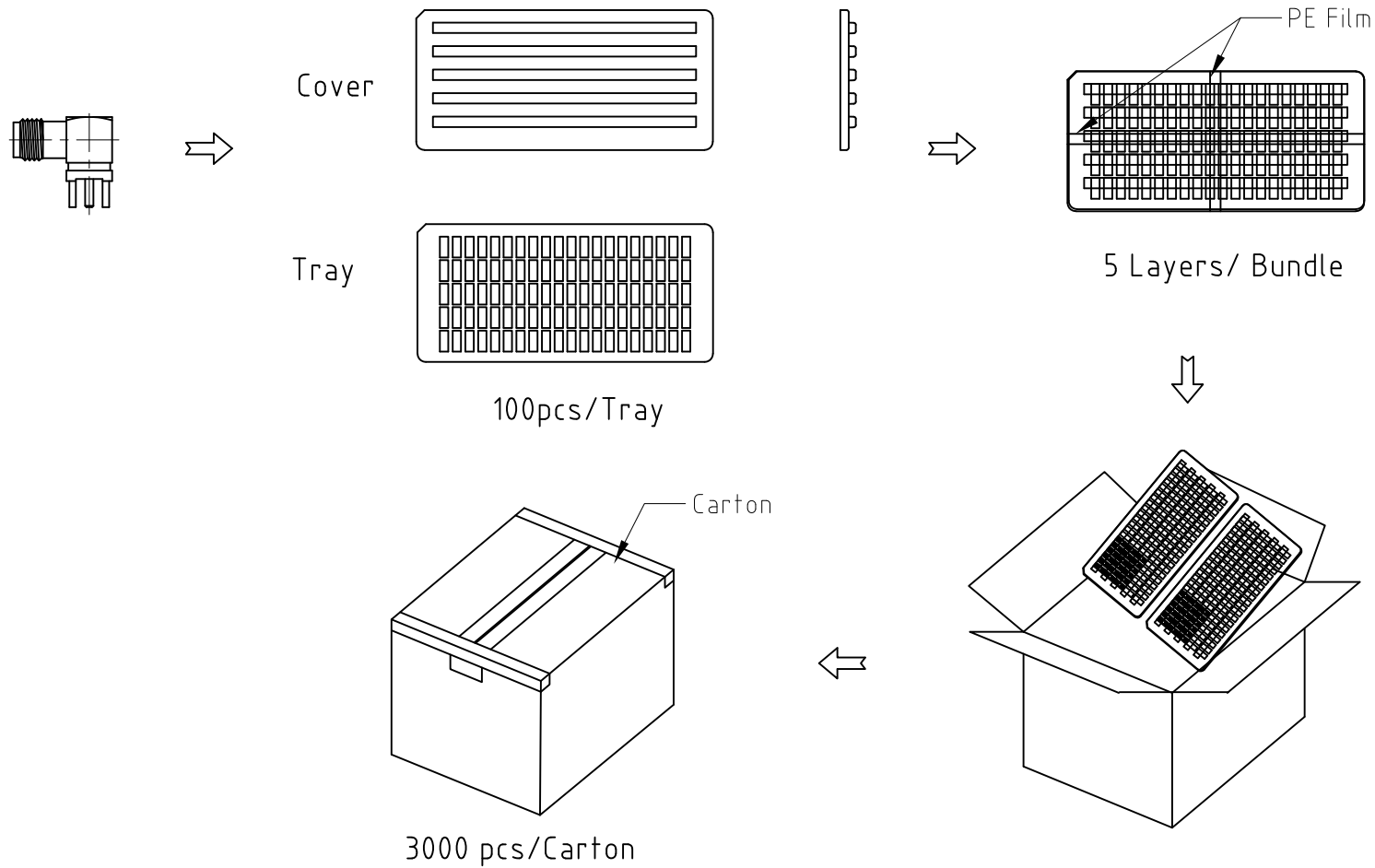


www.gradconn.com

THIS DRAWING IS CONFIDENTIAL AND MUST NOT BE COPIED OR DISCLOSED WITHOUT WRITTEN CONSENT

| |
|---------------------|
| Type: RFPC-SMA27-F |
| RFPC-SMA27-F |
| Drawing Number: |
| Sheet 1 of 2 |
| Drawing © E and O E |

RFPC-SMA27-F : SMA Right Angle Jack, PCB Connector, 6GHz



| pcs / Tray | Trays / Carton | pcs/Carton |
|------------|----------------|------------|
| 100 | 30 | 3000 |

REV. DATE & DRN
1.0 17/07/23 - CC RELEASE
1.1 29/03/24 - CC RELEASE
Update product description

| | | | |
|------------|-------------------|---|----------------------|
| Scale: NTS | THIRD ANGLE | Unstated Tolerances: .X ±0.2 .XX ±0.1 .XXX ±0.05 ANGLES ±3° | Material SEE NOTE |
| Drawn: CC | | Title SMA PCB Connector | NOT TO SCALE |
| App'd: XXX | Date: 29 MAR. '24 | Revision: 1.1 | Unit: mm |



www.gradconn.com

THIS DRAWING IS CONFIDENTIAL AND MUST NOT BE COPIED OR DISCLOSED WITHOUT WRITTEN CONSENT

| |
|---------------------|
| Type: RFPC-SMA27-F |
| RFPC-SMA27-F |
| Drawing Number: |
| Sheet 2 of 2 |
| Drawing © E and O E |