

RFPC-SMA14-FN: SMA Right Angle Bulkhead Jack With O-ring, PCB Connector, Rated to IP67/68, 6GHz

Material and Plating:

- Insulator A: Teflon
- Insulator B: Teflon
- Insulator C: Teflon
- Body A: Brass, Gold Plated
- Body B: Brass, Gold Plated
- Pin A: Be Cu, Gold Plated
- Pin B: Brass, Gold Plated
- Gasket: Silicon, Color: Red
- O-Ring: Silicone, Color: Red
- Cap: Brass, Gold Plated

Washer: Brass, Gold Plated

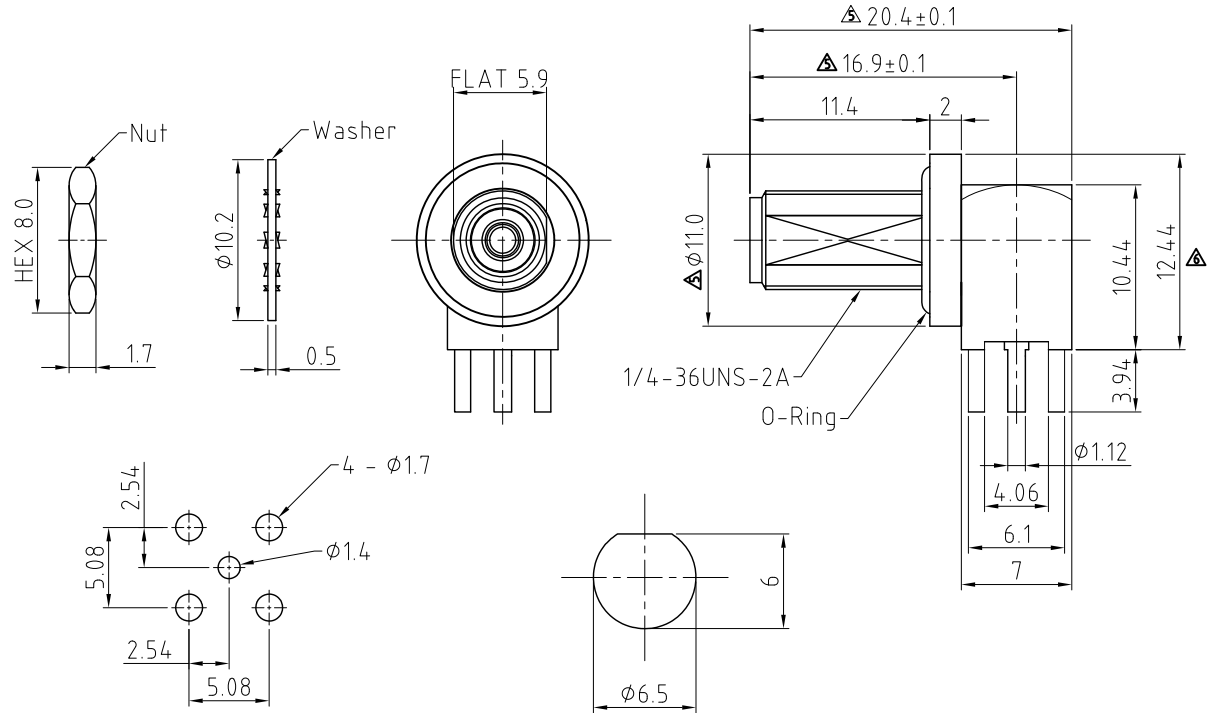
Nut: Brass, Gold Plated

Environmental:

- A. Tested to:
 - i. IP6x - Dust tight - no particle ingress.
 - ii. IPx7 Waterproof for 30 minutes up to 1 meter underwater.
 - iii. IPx8 Waterproof for 48 hours at 1 meter underwater.

Notes:

1. Packaging Type: 160pcs/Tray.
2. Working Frequency Range: DC-6GHz.
3. Operating Temperature: -65°C~+165°C.
4. Impedance: 50 ohm.



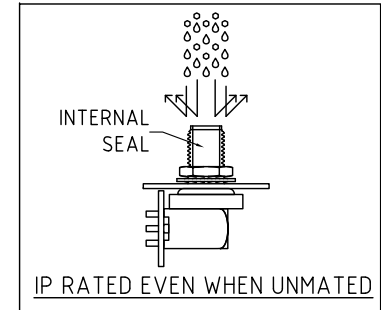
Recommended PCB Hole Layout

Recommended Mounting Hole

Applicable Panel Thickness:
Min. 0.7mm ~ Max. 3.2mm

HOW TO ORDER
RFPC - SMA14 - FN - X

WASHER AND NUT OPTIONS:
BLANK = SEPARATELY PACKED (STANDARD)
A = ALL ASSEMBLED WITH CONNECTOR



REV. DATE & DRN
11 27/11/17 - NYW RELEASE
12 27/11/17 - NYW ADD ENVIRONMENTAL INFO.
13 16/02/19 - NYW RELEASE OFFICIAL DRAWING.
13 16/02/19 - NYW ADD WASHER & NUT OPTIONS.
14 24/05/19 - NYW ADD OPERATING TEMP.
15 25/11/19 - NYW ADD UNSTATED TOLERANCE.
15 25/11/19 - NYW ADD UNSTATED DIMENSIONAL TOLERANCE.
16 13/01/23 - NYW ADD DIMENSION.
17 14/02/23 - NYW ADD IMPEDANCE.
18 07/09/23 - NYW UPDATE FREQUENCY & TEMP.
19 20/03/24 - NYW ADD PANEL THICKNESS.
20 30/05/24 - CC ADD IP RATING VIEW

Scale: NTS	THIRD ANGLE	Unstated Tolerances: .X ±0.20 .XX ±0.20 .XXX ±0.20 ANGLES ±2°
Drawn: NYW		
App'd: XXX	Title SMA PCB Connector	
Date: 31 MAR. '24	Revision: 2.0	Unit: mm



IP Rated RF Products



www.gradconn.com

Type: RFPC-SMA14-FN
RFPC-SMA14-FN
Drawing Number:
Sheet 1 of 1
Drawing © E and O E