

RFA-100-010: SMA ANTENNA WITH ELBOW, 2.4GHz~2.5GHz, ADDITIONAL SNAP 45°

Material and plating:

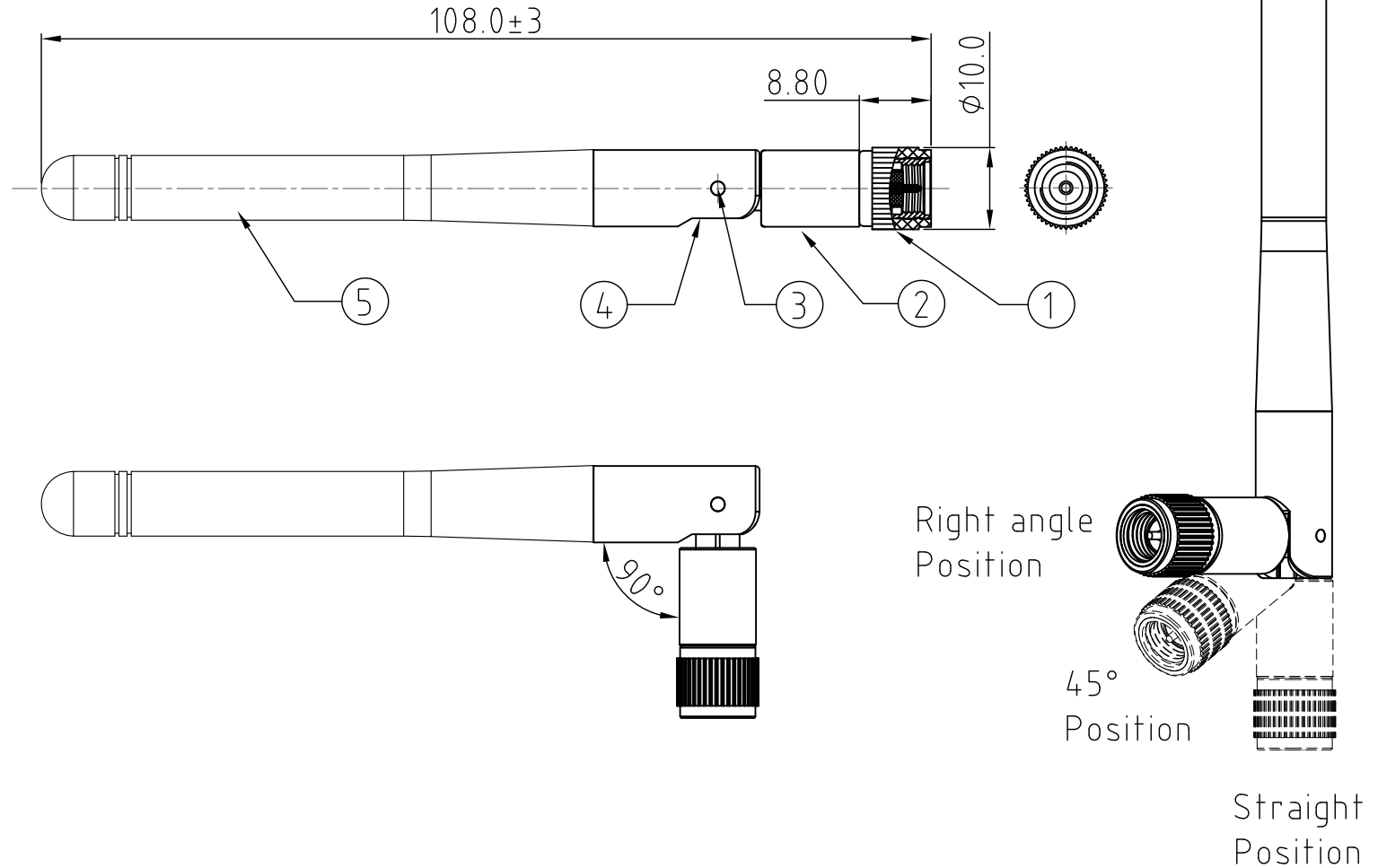
1. SMA Plug: Brass, Nickel plating
2. Bottom Base: PC+PBT, Black
3. Rivet: POM, Black
4. Upper Base: PC+PBT, Black
5. Cap: TPEE, Black

Electrical


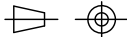
Frequency Range: 2.4GHz~2.5GHz,
 Impedence: 50Ω
 VSWR: 2.0 max.
 Radiation: Omni
 Gain: 2dBi +/-0.5
 Polarization: Vertical
 Maximum Power: 1W

Mechanical & Environment

Operating Temperature: -20°C to +65°C
 Weight: 7.4g
 Lead free ROHS



REV. DATE & DRN
T0 04/08/23 - CC RELEASE

Scale: NTS	THIRD ANGLE	Unstated Tolerances: .X ± 0.30 .XX ± 0.20 .XXX ± 0.10 ANGLES	Material SEE NOTE	 www.gradconn.com © THIS DRAWING IS CONFIDENTIAL AND MUST NOT BE COPIED OR DISCLOSED WITHOUT WRITTEN CONSENT	Type: RFA-100-010
Drawn: CC					RFA-100-010
App'd: PH	Title SMA Antenna		NOT TO SCALE		Drawing Number:
Date: 4 Aug. '23	Revision: 1.0		Unit: mm		Sheet 1 of 1
					Drawing © E and O E