

CH03-AR060-0BR - SIM CARD HOLDER, SLIDE IN TYPE, WITH METAL COVER, WITHOUT SWITCH, 6 PINS

FEATURES

1. GENERAL CHARACTERISTICS

- WEIGHT: APPROX. 0.4±0.1g
- CONTACT PRINCIPLE: FRICTION TECHNOLOGY
- MOUNTING SYSTEM: SMT TYPE WITHOUT POST
- DURABILITY: 5,000 CYCLES MIN.

2. MECHANICAL CHARACTERISTICS

- INSULATION MATERIAL: THERMOPLASTIC, UL 94V-0
- CONTACT MATERIAL: PHOSPHER BRONZE
- CONTACT PLATING: GOLD FLASH OVER NICKEL
- METAL SHELL MATERIAL: SUS

3. ELECTRICAL CHARACTERISTICS

- CONTACT RESISTANCE: 50m OHMS TYP. 100m OHMS MAX.
- INSULATION RESISTANCE: > 1000M OHMS / 500V DC
- RATED CURRENT: 1A MAX, 10uA MIN.
- RATED VOLTAGE: 50V MAX.
- WITHSTANDING DIELECTRIC VOLTAGE: 500V AC R.M.S. FOR 1 MINUTE

4. SOLDERABILITY

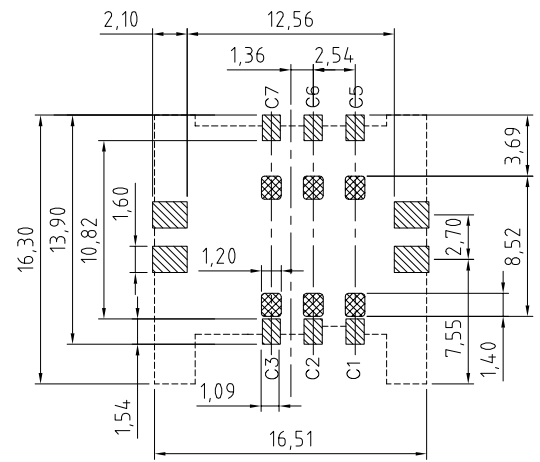
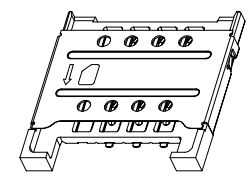
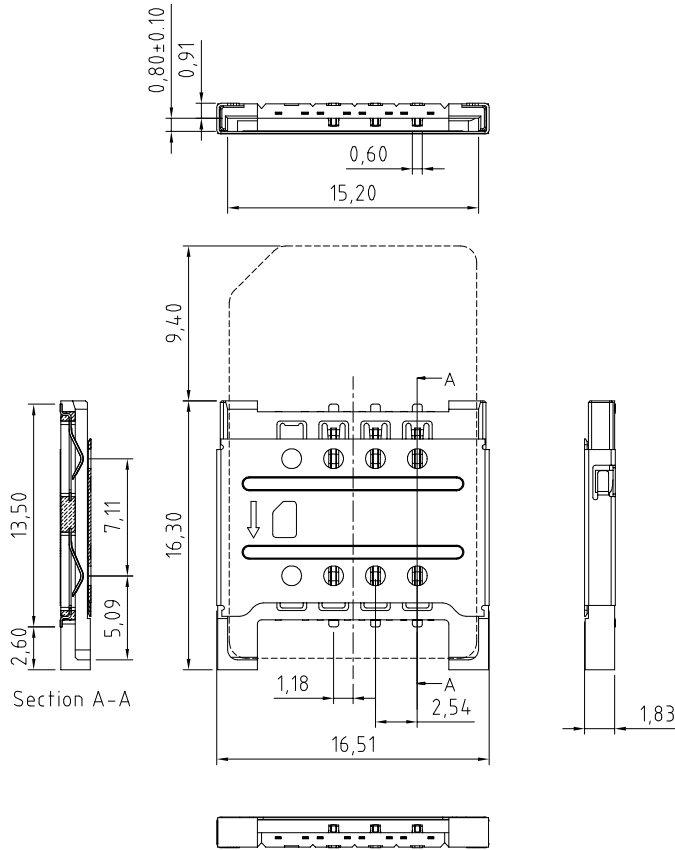
- WAVE: NOT APPLICABLE
- IR REFLOW: 250°C, 5 SEC. MAX.
- MANUAL SOLDERING: 370°C, 3 SEC. MAX.

5. ENVIRONMENTAL CHARACTERISTICS

- OPERATING TEMPERATURE: -40°C ~ +85°C
- OPERATING HUMIDITY: 10% ~ 95% RH
- STORAGE TEMPERATURE: -40°C ~ +85°C
- STORAGE HUMIDITY: 10% ~ 95% RH
- THERMAL SHOCK: -40°C ~ +85°C, 5 CYCLES
- DAMP HEAT: 40°C, 90% RH, 500HR
- SALT-MIST: 35°C, 5% NaCl, 24HR

NOTES:

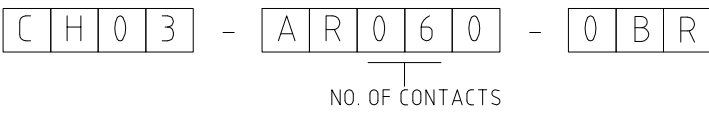
- 1. ACCEPTABLE SIM CARD SIZE SHOULD MEET GSM 11.11 SPECIFICATION REQUIREMENT.
- 2. PACKAGING: 1,300PCS/REEL.



COMPONENT SIDE (TOLERANCE: ±0.05)
RECOMMENDED PCB LAYOUT

- Solder Area
- Keep Out Area

HOW TO ORDER



REV. DATE & DRN TO 09/06/21 - NYW RELEASE

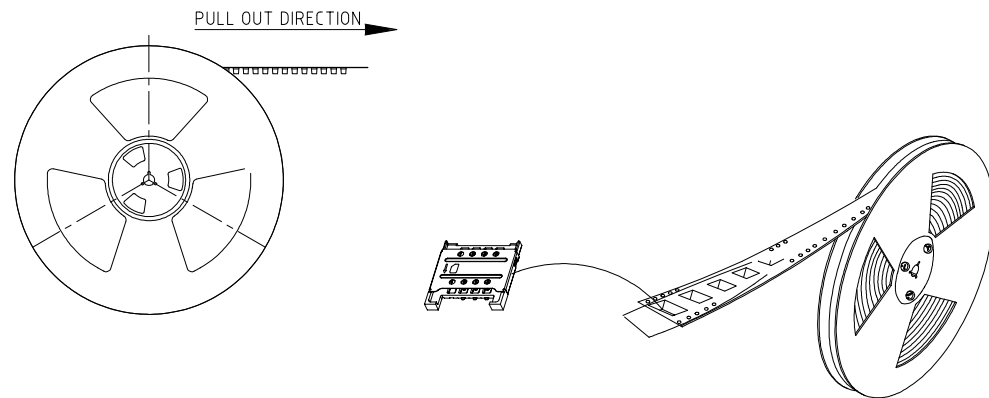
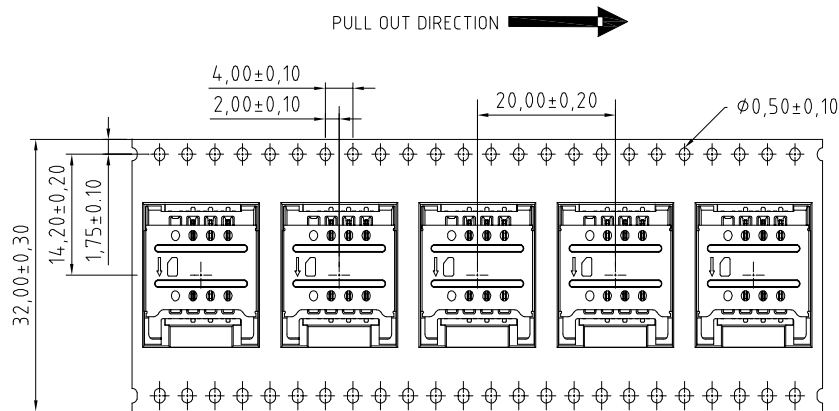
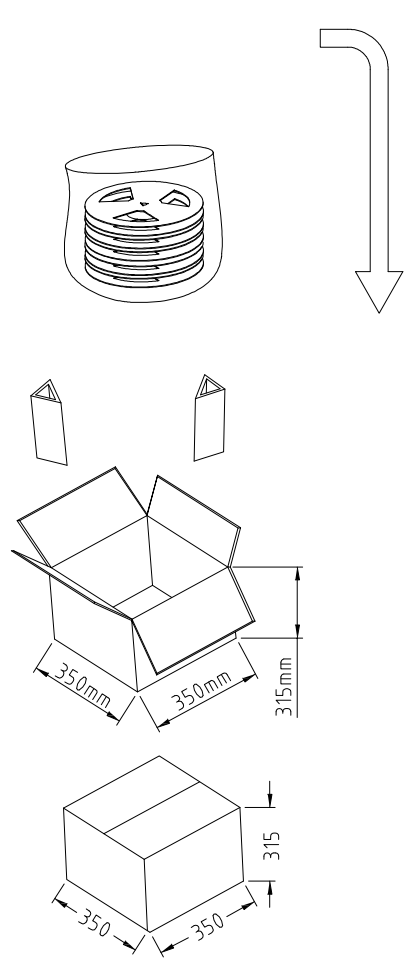
Scale: 3:1	THIRD ANGLE	Unstated Tolerances: X: +0.35 X: +0.25 XX: +0.15 XXX: ±0.10	Material SEE NOTE
Drawn: NYW			NOT TO SCALE
App'd: XXXX	Title: SIM CARD ACCEPTOR		Unit: mm
Date: 9 JUN. '21	Revision: 1.0		

www.gradconn.com

THIS DRAWING IS CONFIDENTIAL AND MUST NOT BE COPIED OR DISCLOSED WITHOUT WRITTEN CONSENT

Type: CH03-AR
CH03-AR060-0BR
Drawing Number:
Sheet 1 of 2
Drawing © E and O E

CH03-AR060-0BR : PACKAGING DRAWING



- NOTES:
1. REEL DIA.: 33CM.
 2. 1,300PCS PER REEL, GROSS WEIGHT: 1.18KG.
 3. 8 REELS PER FULL CARTON, GROSS WEIGHT: 10.24KG.

REV. DATE & DRN
TO: 09/06/11- NYW RELEASE

Scale: NTS	THIRD ANGLE	Unstated Tolerances: X N/A X N/A XX N/A XXX N/A	Material SEE NOTE
Drawn: NYW			
App'd: XXXX	Title PACKAGING		NOT TO SCALE
Date: 9 JUN. '21	Revision: 1.0		Unit: mm

www.gradconn.com

THIS DRAWING IS CONFIDENTIAL AND MUST NOT BE COPIED OR DISCLOSED WITHOUT WRITTEN CONSENT

Type: CH03-AR
CH03-AR060-0BR
Drawing Number:
Sheet 2 of 2
Drawing © E and O E